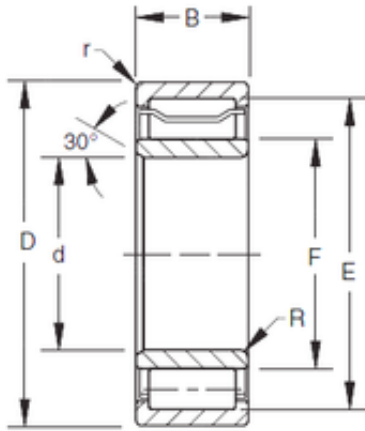




Horton Bearing Services

Bearing A-5238-WS

Bearing No. A-5238-WS



A-5238-WS Bearing 2D drawings and 3D CAD models

Bore Diameter	190 mm
Outer Diameter	313 mm
d	190 mm
F	224 mm
D	340 mm
E	313 mm
B	114,3 mm
C	114,3 mm
R	7,9 mm
r	3 mm